

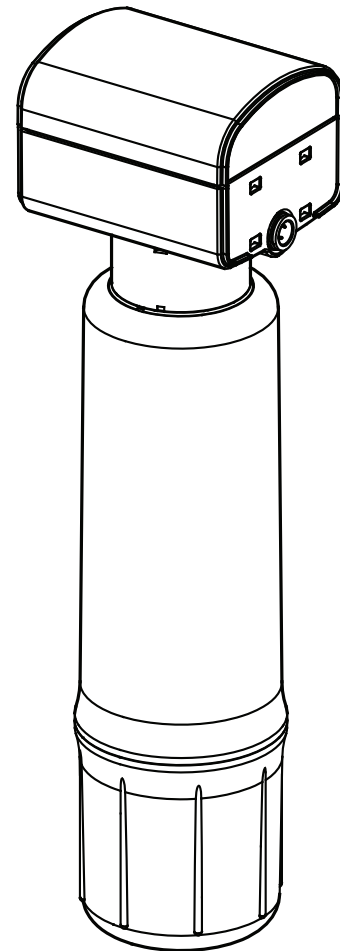
ECOWATER[®]
S Y S T E M S



Your Water. Perfected.

EcoWater Premium Alkaline / Remineralizing Filter System Model EACW

- ◆ Safety Guides
 - ◆ Installation
 - ◆ Maintenance
 - ◆ Repair Parts



System tested and certified by NSF International to NSF/ANSI Standard 372, and is not certified for material safety, contaminant reductions or structural integrity by NSF International.



Certified to
NSF/ANSI 372



Designed, Engineered &
Assembled in the U.S.A.

EcoWater Systems LLC
1890 Woodlane Drive
Woodbury, MN 55125
www.ecowater.com

7385029 (Rev. B 11/1/23)

Premium Alkaline / Remineralizing Filter System

The EcoWater Systems model EACW increases the pH of reverse osmosis (RO) product water and remineralizes the water. It is designed to be installed in the line between the RO system's product water outlet and the product water dispensing faucet.

The head will plug directly into an EcoWater Systems RO manifold assembly on the postfilter side, using the 3/8" to 3/8" coupler supplied. The quick connect inlet and outlet on the model EACW will also allow it to be plumbed as a stand-alone unit using 3/8" O.D. tubing.

Safety Guides

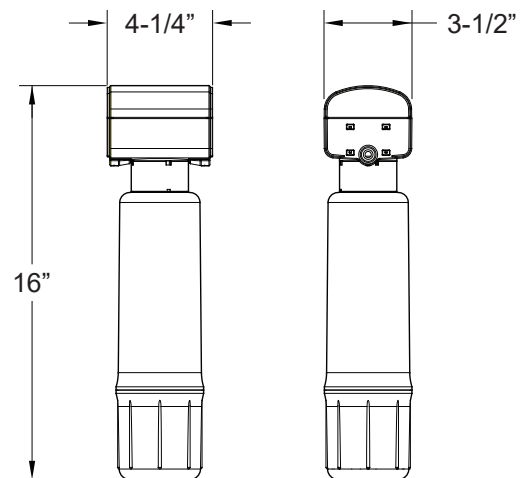
- ▼ Read all steps and guides carefully before installing and using your water filter system. Follow all steps exactly to correctly install. Reading this manual will also help you to get all the benefits from the water filter system.
- ▼ Do not use for the treatment of water that is visually contaminated (cloudy) or has an obvious contamination source, such as contamination by raw sewage.
- ▼ All plumbing should be done in accordance with local codes and requirements.

- ▼ The water filter system works on water pressures of 40 psi (minimum) to 100 psi (maximum). If your house water pressure is over the maximum, install a pressure reducing valve in the water supply pipe to the filter system.
- ▼ Do not install the water filter system outside, or in extreme hot or cold temperatures. Temperature of the water supply to the water filter system must be between 40°F and 100°F. Do not install on hot water.

Specifications

- Supply Water Pressure Min. - Max. 40 - 100 psi
(276 - 689 kPa)
- Supply Water Temperature Min. - Max. . . . 40 - 100 °F
(4 - 38 °C)
- Inlet - Outlet 3/8" quick connect fittings

Dimensions



Components of the System

- Filter system assembly
- Parts bag containing coupler fittings, mounting washer and screw

Installation

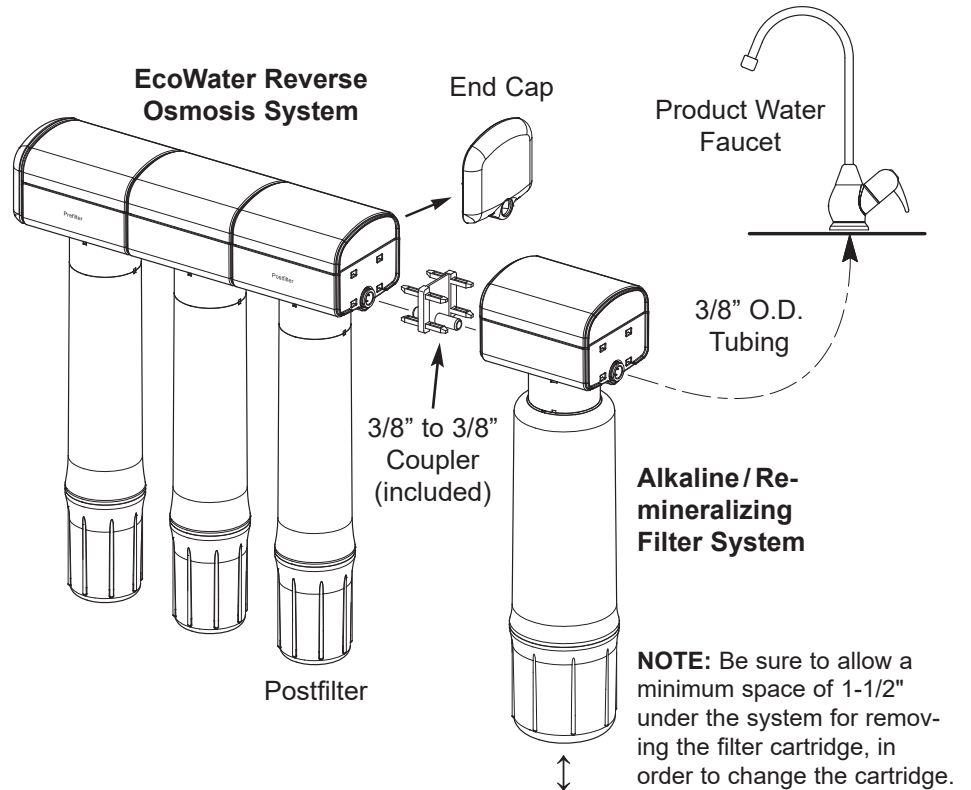
The recommended location for the model EACW Alkaline / Remineralizing Filter is between a Reverse Osmosis system and the product water faucet.

Installing on an EcoWater RO system using the included coupler:

1. Locate the 3/8" to 3/8" coupler in the parts bag.
2. Remove the end cap on the postfilter side of the RO, as shown at right.
3. Insert the 3/8" to 3/8" coupler stem into the postfilter side port and push in to snap in place.
4. Make sure that the Alkaline / Remineralizing Filter head's front is facing the same direction as the RO (cutouts for hanging hardware are on back of both). Insert the coupler's stem into the inlet port of the Alkaline / Remineralizing Filter, as shown. Push together to snap.
5. Install the end cap (that you removed from the RO system) onto the end of the filter head.
6. Route a length of 3/8" O.D. tubing from the filter head's outlet port to the product water faucet, as shown at right. Make sure that the tube end is cut square before connecting.
7. Check your installation for leaks, then turn on the product water faucet and let it run for 10 minute to rinse out carbon fines.

Alternate installation without the coupler:

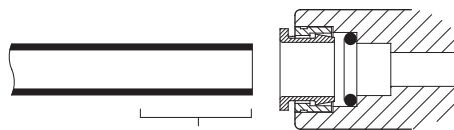
If you are not using the included coupler, plumb a 3/8" O.D tube between the RO system and the Alkaline / Remineralizing Filter. Make sure the tube ends are cut square before connecting. Use the included hanger washer and screw (in the parts bag) to support the filter head.



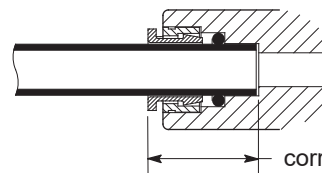
Connect Tubing:

1. Use a sharp cutter or knife to cut the end of tubing square.
2. Inspect the end (about 1") of the tubing to be sure there are no nicks, scratches or other rough spots. If needed cut the tubing again.
3. Push tubing through the collet and all the way into fitting. Full engagement is 3/4" length of tube into the fitting.

Tubing correctly cut and connected

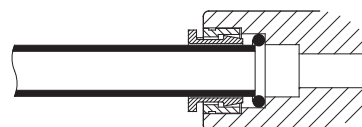


end of tubing round and smooth, with no cuts, nicks or flat spots



correct full 3/4" engagement

Incorrect partial engagement



Filter Cartridge

Filter Cartridge Life

It is recommended to **replace filter cartridges every 365 gallons** of use (should provide 12 months). There are several variables that determine how long a cartridge will last. These include:

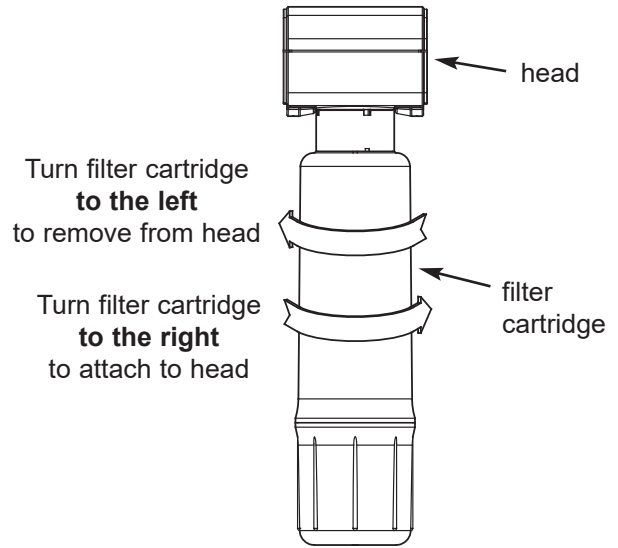
1. How much water you use, and
2. How much sediment, taste and/or odor, or other unwanted substance, is in the water.

Use this information as a guide. However, you will know it is time to replace them when you first notice the return of the unwanted taste and/or odor in your water, or when the flow diminishes or stops.

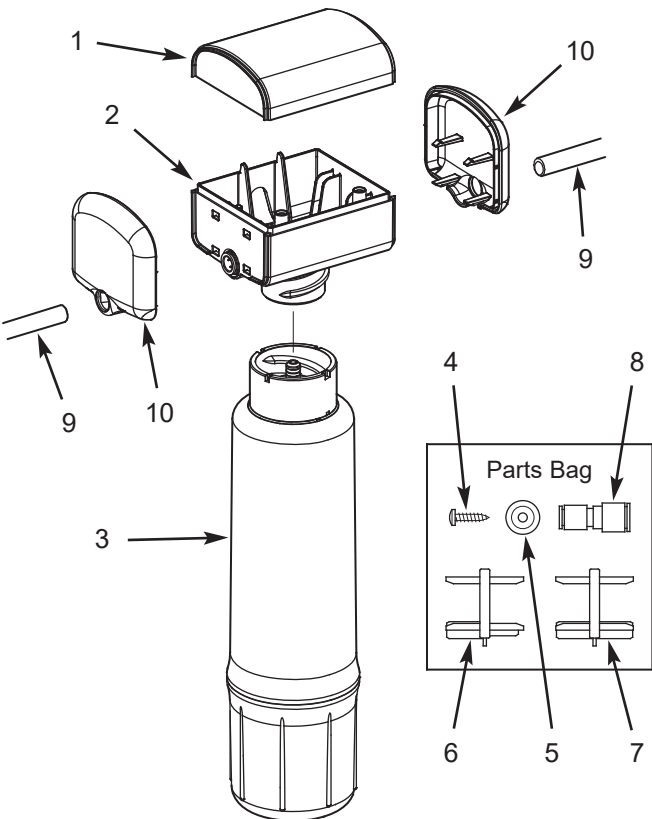
Filter Cartridge Replacement

1. Turn filter cartridge to the left to remove cartridge from the filter head.
2. Dispose of the cartridge in a proper manner.
3. Install new cartridge. Turn cartridge to the right to re-attach to the filter head.

Premium Alkaline / Remineralizing Filter Cartridges contain activated carbon. When new, open the product water faucet and allow carbon fines to rinse out for 10 minutes.



Parts List



Key No.	Part No.	Description
1	7268382	Cover
2	7276628	Head Assembly
3	7385037	Repl. Filter Cartridge, Premium Alkaline / Remineralizing
-	7272991	Parts Bag (incl. Key Nos. 4-8)
4	↑	Screw
5	↑	Hanger Washer
6	↑	Coupler, 1/4" to 3/8"
7	↑	Coupler, 3/8" to 3/8"
8	↑	Union Connector, 1/4" to 3/8"
Accessories not included		
9	7168435	Tubing, 3/8" OD x 72" long, White
10	7273379	End Cap
■	7272959	Faucet, Chrome
■	7277187	Faucet, Brushed Nickel

■ Not illustrated.

For repair parts call your local EcoWater dealer or go to www.ecowater.com to locate a dealer in your area.

5 YEAR LIMITED WARRANTY

EcoWater Systems Premium Alkaline /Remineralizing Filter System Model EACW (not including filter cartridges)

Warrantor: EcoWater Systems LLC, P.O. Box 64420, St. Paul, MN 55164-0420

www.ecowater.com

Warrantor guarantees, to the original purchaser when the product is purchased from an authorized dealer, and when installed and maintained in accordance with the instructions, that the Premium Alkaline /Remineralizing Filter System (EACW) will be free from defects in materials and workmanship and will perform in accordance with its written specifications for a period of five (5) years from the date the product is delivered.

If, within the first five years, a part proves, after inspection, to be defective, Warrantor will, at its sole option, either replace or repair the part without charge except normal shipping, installation and service charges. If a repair or replacement part is unavailable, Warrantor may refund the original purchase price. Labor to maintain the equipment is not part of the warranty. Filter cartridges, which are expendable, are not covered by the warranty.

General Provisions

The above warranties are effective provided the Premium Alkaline /Remineralizing Filter System is operated at water pressures not exceeding 100 psi (7.0 kg/cm²), and at water temperatures not exceeding 100°F (38°C); provided further that the Premium Alkaline /Remineralizing Filter System is not subject to abuse, misuse, alteration, neglect, freezing, accident or negligence; and provided further that the Premium Alkaline /Remineralizing Filter System is not damaged as the result of a force of nature such as, but not limited to, flood, hurricane, tornado or earthquake.

The limited warranty does not cover damage due to: (a) transportation, (b) storage, (c) improper use, (d) failure to follow the product instructions or to perform any preventive maintenance, (e) modifications, (f) unauthorized repair, (g) normal wear and tear, or (h) external causes such as accidents, abuse, or other actions or events beyond Warrantor's reasonable control. Use of aftermarket, used, or non-manufacturer provided parts will void all warranties. Warranty does not cover failures due to improper product installation. Warrantor is excused if failure to perform its warranty obligations is the result of strikes, government regulation, materials shortages, or other circumstances beyond its control.

THERE ARE NO WARRANTIES ON THE PREMIUM ALKALINE /REMINERALIZING FILTER SYSTEM BEYOND THOSE SPECIFICALLY DESCRIBED ABOVE. ALL IMPLIED WARRANTIES, INCLUDING ANY IMPLIED WARRANTY OF MERCHANTABILITY OR OF FITNESS FOR A PARTICULAR PURPOSE, ARE DISCLAIMED TO THE EXTENT THEY MIGHT EXTEND BEYOND THE ABOVE PERIODS. THE SOLE OBLIGATION OF WARRANTOR UNDER THESE WARRANTIES IS TO REPLACE OR REPAIR THE COMPONENT OR PART WHICH PROVES TO BE DEFECTIVE WITHIN THE SPECIFIED TIME PERIOD, AND WARRANTOR IS NOT LIABLE FOR CONSEQUENTIAL OR INCIDENTAL DAMAGES. NO DEALER, AGENT, REPRESENTATIVE, OR OTHER PERSON IS AUTHORIZED TO EXTEND OR EXPAND THE WARRANTIES EXPRESSLY DESCRIBED ABOVE.

Some states do not allow the exclusion or limitation of incidental or consequential damages, so the above limitation or exclusion may not apply to you. This warranty gives you specific legal rights, and you may have other rights which vary from state to state. This warranty applies to consumer-owned installations only.