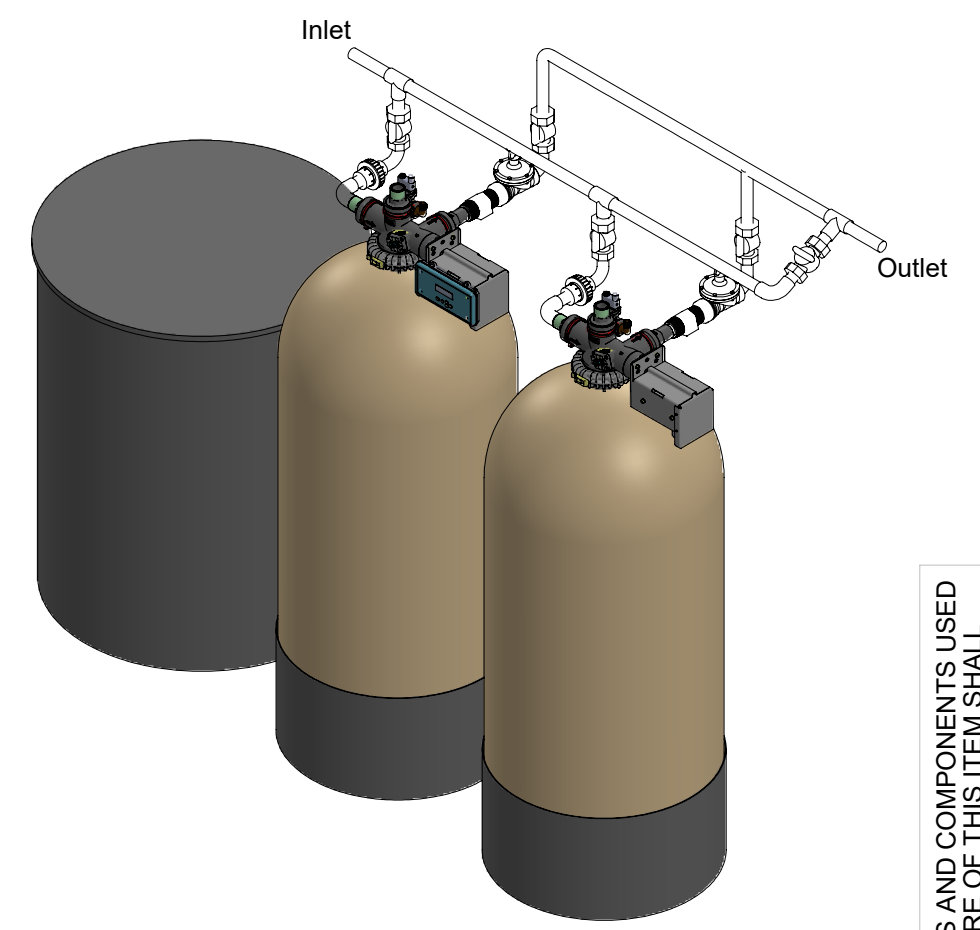
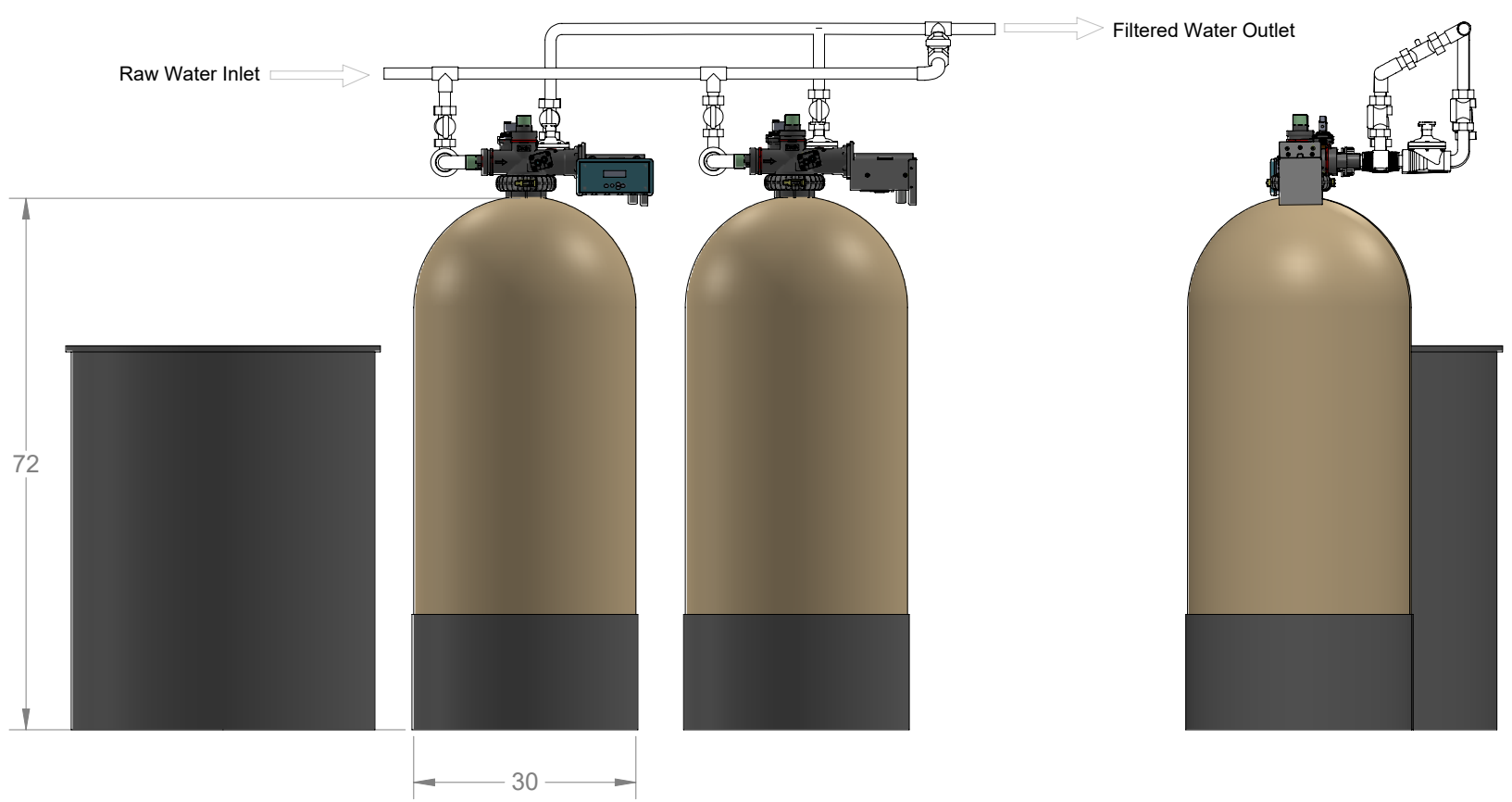
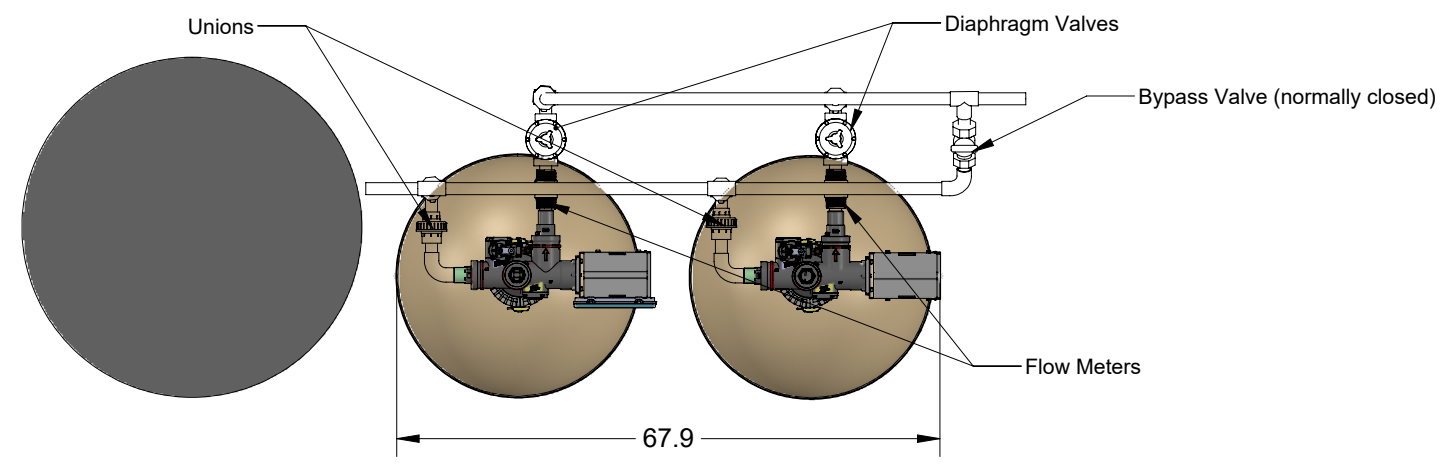


PART VOLUME: CU. IN.  
PART WEIGHT: LBS.



Notes:  
All piping, fittings etc are provided by others  
General plumbing connections are shown for clarity only  
Mounting for electronic control will Vary

ALL RAW MATERIALS AND COMPONENTS USED IN THE MANUFACTURE OF THIS ITEM SHALL COMPLY WITH ECOWATER SYSTEMS ES 30658

© 2014 ECOWATER SYSTEMS

UNLESS OTHERWISE SPECIFIED, ALL DIMENSIONS ARE IN INCHES  
THIS PRINT, INCLUDING ALL INFORMATION SET FORTH THEREON, IS THE PROPERTY OF ECOWATER SYSTEMS AND IS LOANED IN CONFIDENCE SUBJECT TO RETURN UPON REQUEST AND WITH THE UNDERSTANDING THAT NO COPIES OF THIS PRINT OR OF THE INFORMATION SHALL BE MADE WITHOUT THE PRIOR WRITTEN CONSENT OF ECOWATER SYSTEMS. ALL RIGHTS TO DESIGN AND INVENTION ARE RESERVED.

		A		Release to production
DATE	APRV.	REV	EN. NO.	REVISION RECORD

PART NUMBER	MATL			
			SCALE	1:24
	NEXT ASSMBLY	REFERENCE	DRAWN BY	
	TOLERANCE UNLESS NOTED		CHK'D BY	
	ONE PLACE (.0)	+/- .020	PROJ ENG	
TWO PLACE (.00)	+/- .010	APPROVAL		
THREE PLACE (.000)	+/- .005			
		ANGLES	+/- 0 30'	
DO NOT SCALE DRAWING				

PART NAME		
SIZE	PART NUMBER	REV
B	EWS302MD	