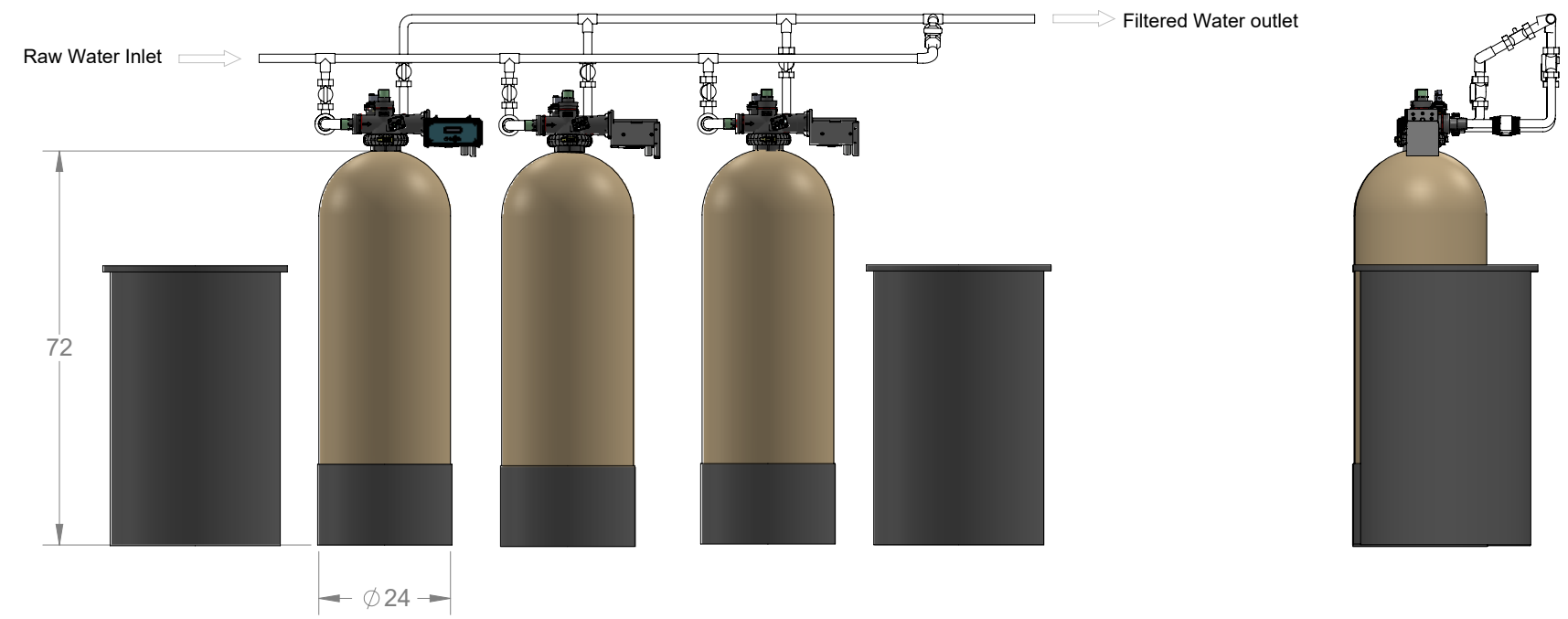
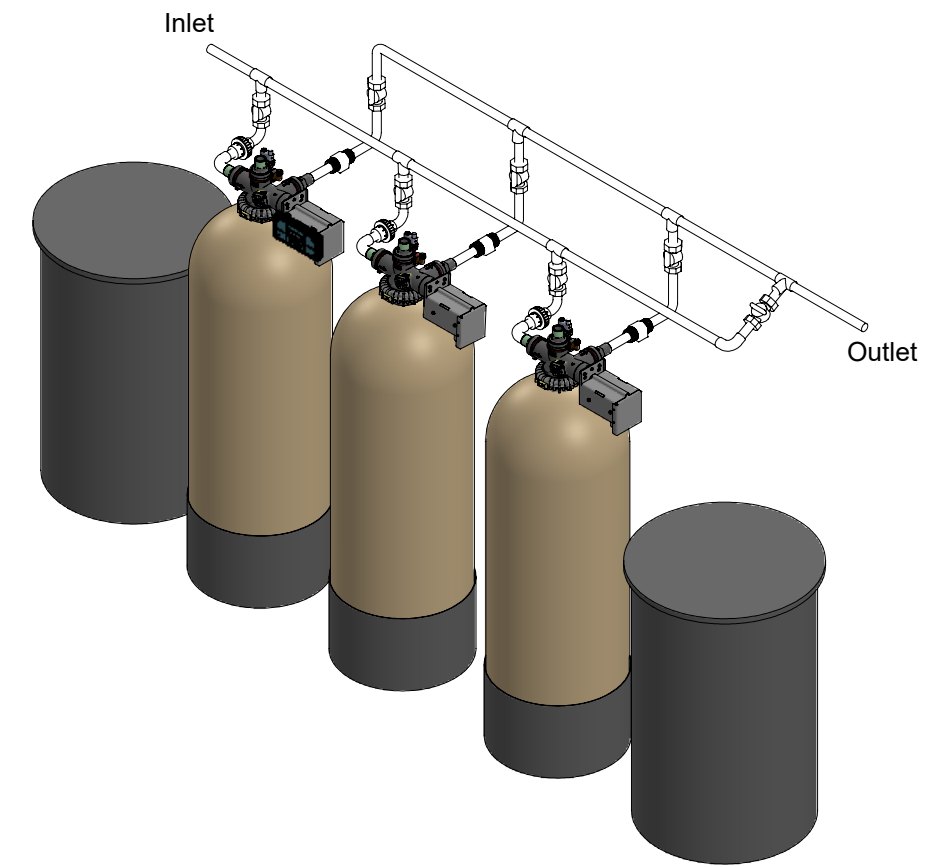
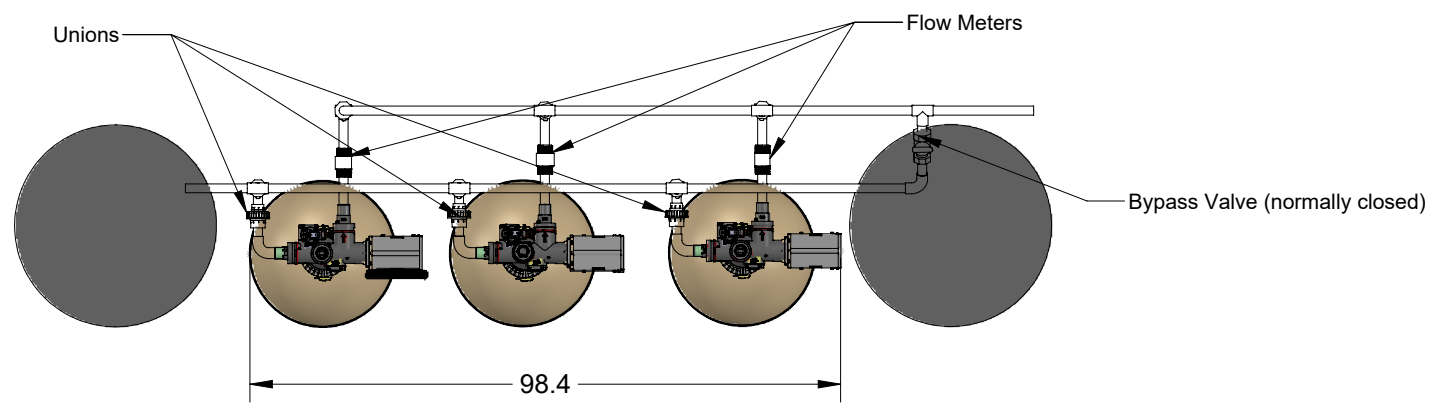


PART VOLUME: CU. IN.
 PART WEIGHT: LBS.



Notes:
 All piping, fittings etc are provided by others
 General plumbing connections are shown for clarity only
 Mounting for electronic control will vary

ALL RAW MATERIALS AND COMPONENTS USED
 IN THE MANUFACTURE OF THIS ITEM SHALL
 COMPLY WITH ECOWATER SYSTEMS ES 30658

© 2014 ECOWATER SYSTEMS

UNLESS OTHERWISE SPECIFIED, ALL DIMENSIONS ARE IN INCHES
 THIS PRINT, INCLUDING ALL INFORMATION SET FORTH THEREON, IS THE
 PROPERTY OF ECOWATER SYSTEMS AND IS LOANED IN CONFIDENCE
 SUBJECT TO RETURN UPON REQUEST AND WITH THE UNDERSTANDING
 THAT NO COPIES OF THIS PRINT OR OF THE INFORMATION SHALL BE
 MADE WITHOUT THE PRIOR WRITTEN CONSENT OF ECOWATER
 SYSTEMS. ALL RIGHTS TO DESIGN AND INVENTION ARE RESERVED.

| DATE | APRV. | REV | EN. NO. | REVISION RECORD |
|------|-------|-----|---------|-----------------------|
| | | A | | Release to production |

| | | | | |
|----------------------|------------------------|-----------|------------|------|
| PART NUMBER | MATL | | | |
| | | | SCALE | 1:24 |
| | NEXT ASSMBLY | REFERENCE | DRAWN BY | |
| | TOLERANCE UNLESS NOTED | | CHK'D BY | |
| | ONE PLACE (.0) | +/- .020 | PROJ ENG | |
| TWO PLACE (.00) | +/- .010 | APPROVAL | | |
| THREE PLACE (.000) | +/- .005 | | | |
| | | ANGLES | +/- 0° 30' | |
| DO NOT SCALE DRAWING | | | | |

| | | |
|-----------|-------------|-----|
| PART NAME | | |
| SIZE | PART NUMBER | REV |
| B | EWS2415GT | |
| | | |